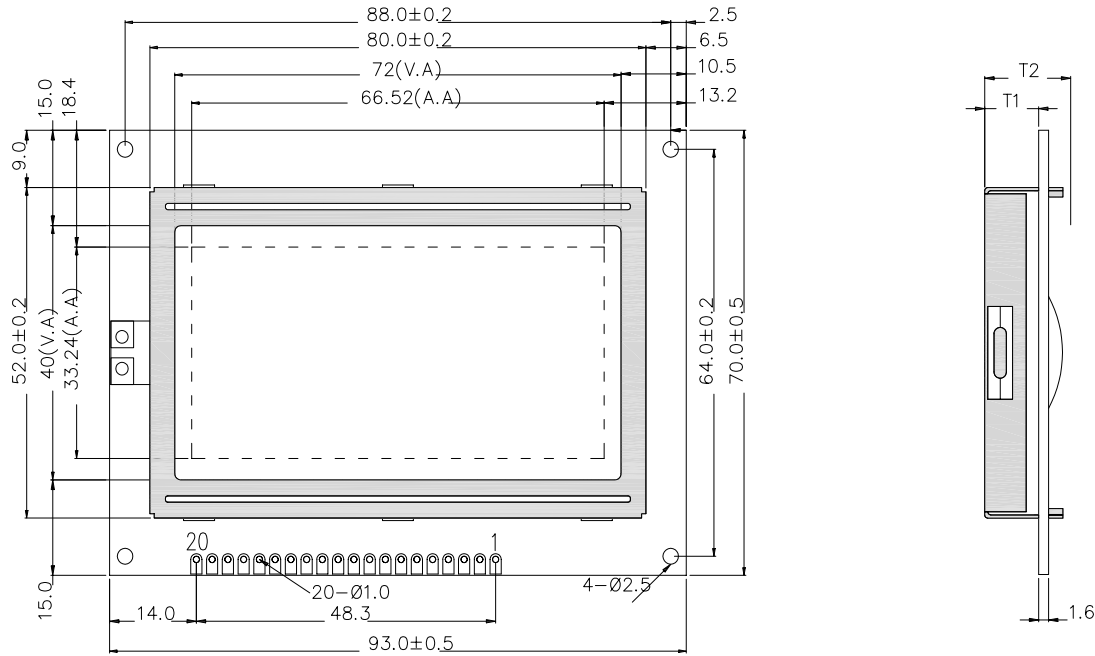
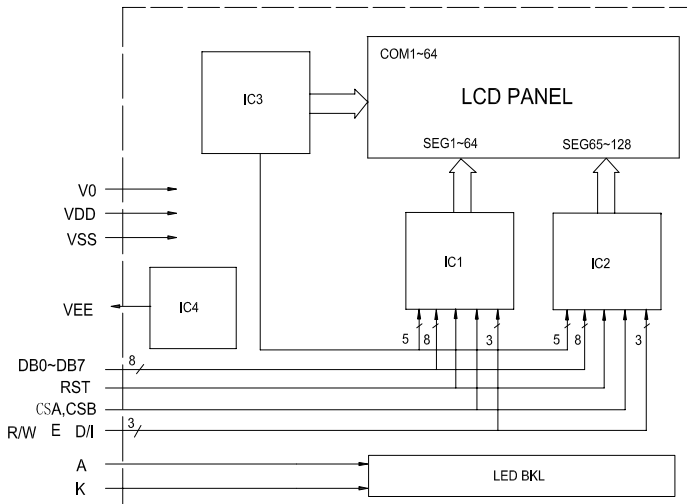


Pin	Symbol
1	VSS
2	VDD
3	V0
4	RS
5	RW
6	E
7~14	DB0~DB7
15	CSA
16	CSB
17	RST
18	VEE
19	A
20	K



## Block diagram



## Feature

- 128dots X 64dots matrix.
- Built-in controller (S6B0108)
- Interface with 8-bit ;5V power supply
- 5V;1/64Duty cycle, 1/9Bias.
- Display Mode & Backlight Variations.
- ROHS Compliant

## Mechanical thickness

LCD module	T1	T2	Unit
Without or EL	4.6	9	mm
Edge backlight	---	---	mm
Bottom backlight	8.7	13	mm

## Mechanical data

Item	Standard	Unit
Module size	93.0X70.0	mm
View area	72.0X40.0	mm
Dot size	0.48X0.48	mm
Area size	66.52X33.24	mm

## Maximum Absolute Power Ratings

Item	Symbol	Standard			Unit
		Min	Typ	Max	
Input voltage	V <sub>DD</sub>	-0.3	---	5.5	V
Power supply	V <sub>in</sub>	-0.3	---	V <sub>DD</sub>	

## Electronical characteristics

Item	Symbol	Condition	Standard			Unit
			Min	Typ	Max	
Operating voltage	V <sub>DD</sub>	V <sub>DD</sub> =5.0V	4.5	---	5.5	V
Operating current	I <sub>DD</sub>	V <sub>DD</sub> =5.0V	---	2	---	mA
Recommended LCD driving voltage for normal temp module	V <sub>LCD</sub>	T <sub>A</sub> =+25	---	8.5	---	V
		T <sub>A</sub> =0	---	8.7	---	
		T <sub>A</sub> =-20	---	9.1	---	
Backlight voltage	V <sub>LED</sub>	Y-G	---	4.2	---	V
Backlight current	I <sub>LED</sub>	V <sub>LED</sub> =4.2V	---	360	---	mA
Operating temperature	T <sub>o</sub>	---	-20	---	70	
Storage temperature	T <sub>s</sub>	---	-30	---	80	